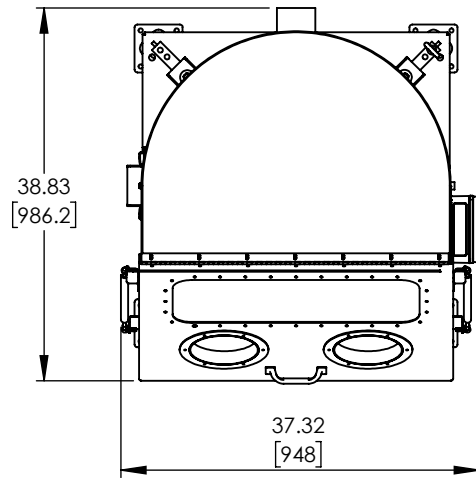


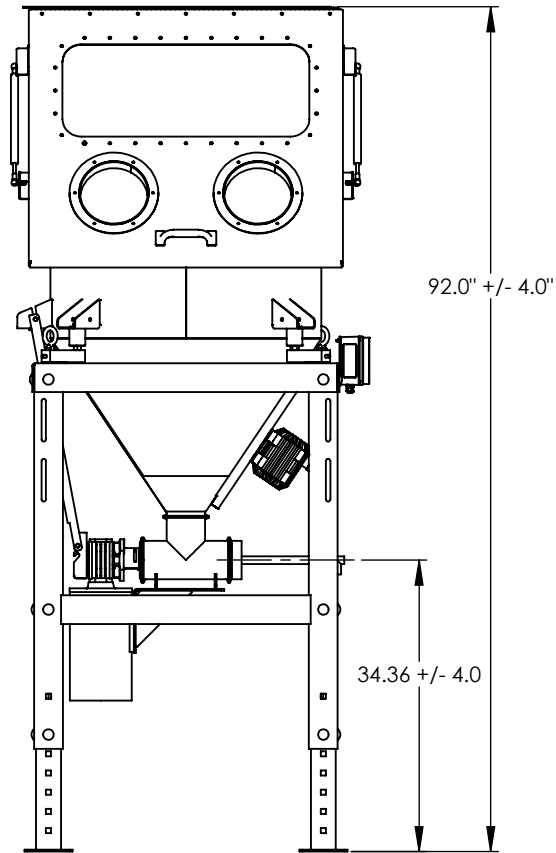
**TOP VIEW**



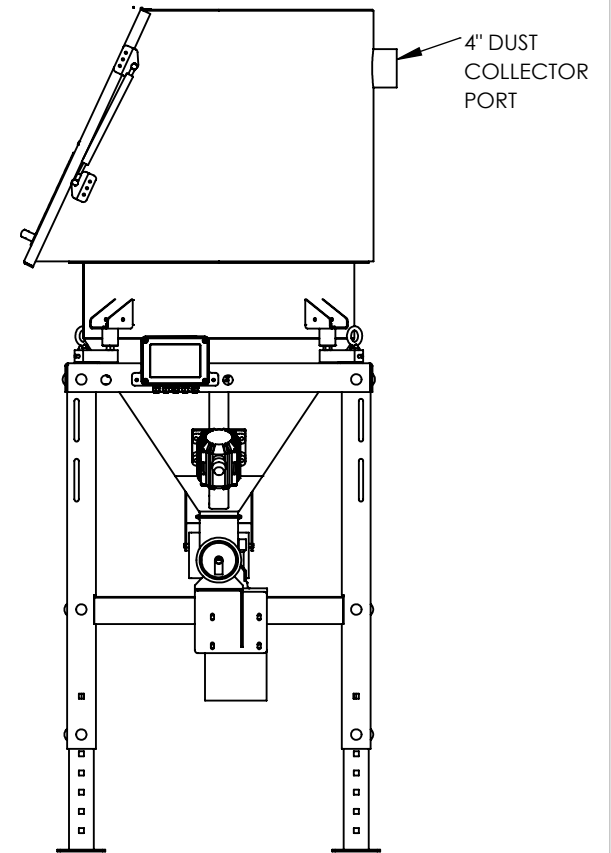
STANDARD:  
5 CUBIC FOOT HOPPER  
DUST COLLECTOR PORT

OPTIONS:  
GLOVE BOX (SHOWN)  
VIBRATOR (SHOWN)  
HEAVY DUTY DRIVE MOTOR  
EXPLOSION PROOF MOTOR  
POLY WETTING CONE  
STAINLESS STEEL WETTING CONE

**FRONT VIEW**



**SIDE VIEW**



53 Apple Tree Lane  
P.O. Box 365  
Plumsteadville, PA 18949  
Toll Free: (800) 257-5911  
Phone: (215) 766-2670  
Fax: (215) 766-2672  
E-Mail: info@scaletronscales.com  
Website: www.scaletronscales.com

**NOTICE**

THE INFORMATION CONTAINED IN THIS DRAWING IS THE SOLE PROPERTY OF SCALETRON INDUSTRIES LTD. ANY REPRODUCTION IN PART OR AS A WHOLE WITHOUT THE WRITTEN PERMISSION OF SCALETRON INDUSTRIES LTD IS PROHIBITED.

**MODEL VMF-28**  
WITH OPTIONAL GLOVEBOX

REV

CBC 4/21/2022